

TITAN PUMPS

Houston, Texas

Engineered for High Performance...

ISO
9001:2008
CERTIFIED



Rotary Gear Pump



Viking® Style

**A
Pump
for every
application!**

**In Stock!
.... Give us a Call!**

MANUFACTURING • SALES • SERVICE

Something about us...

Titan Manufacturing Inc., is based in Houston, Texas. The company specializes in a wide range of pumps for the Oil and Gas refining, Petro Chemical, Water and Waste water management, Oilfield and Mining Industries. Titan Manufacturing is well known for its Ansi Goulds® style pumps, Ansi Durco® style pumps, Diaphragm Wilden® style pumps, Self Priming Trash Gorman Rupp® style pumps and Gear pumps Viking ®style.

Titan has established its reputation in the industry as a supplier of quality products at competitive pricing.

Titan Pumps are engineered to perform and built to last!



Experience the power of... Titan Excellence!

INTERNAL GEAR

Internal gear pumps are positive displacement specially designed to handle high viscosity liquids. They are equipped with casings that can be positioned to meet common piping configurations and they have only two mobile parts that make its maintenance easier.

HOW IT WORKS

Liquid enters the suction port between the rotor and idler teeth. Liquid travels through the pump between the teeth of the "gear-within-a-gear" principle. The crescent shape divides the liquid and acts as a seal between the suction and discharge ports. The pump head is now nearly flooded, just prior to forcing the liquid out of the discharge port. Intermeshing gears of the idler and rotor form locked pockets for the liquid which assures volume control. Rotor and idler teeth mesh completely to form a seal equidistant from the discharge and suction ports. This seal forces the liquid out of the discharge port.



G-4124 SERIES

Threaded bearing housing, its large diameter allows the cartridge mechanical seal installation (except on EI-AK and EI-AL models).

The stuffing box accepts packing, numerous component mechanical seals, or a wide variety of cartridge seals (except on EI-AK and EI-AL models)

The casing can be rotated in 45° increments permitting eight different port positions.

One-piece cast bracket provides rigid foundation to maximize seal and bearing life.



Rotor end clearance can be adjusted to compensate for wear or for higher temperatures or viscosities by rotating the threaded bearing housing.

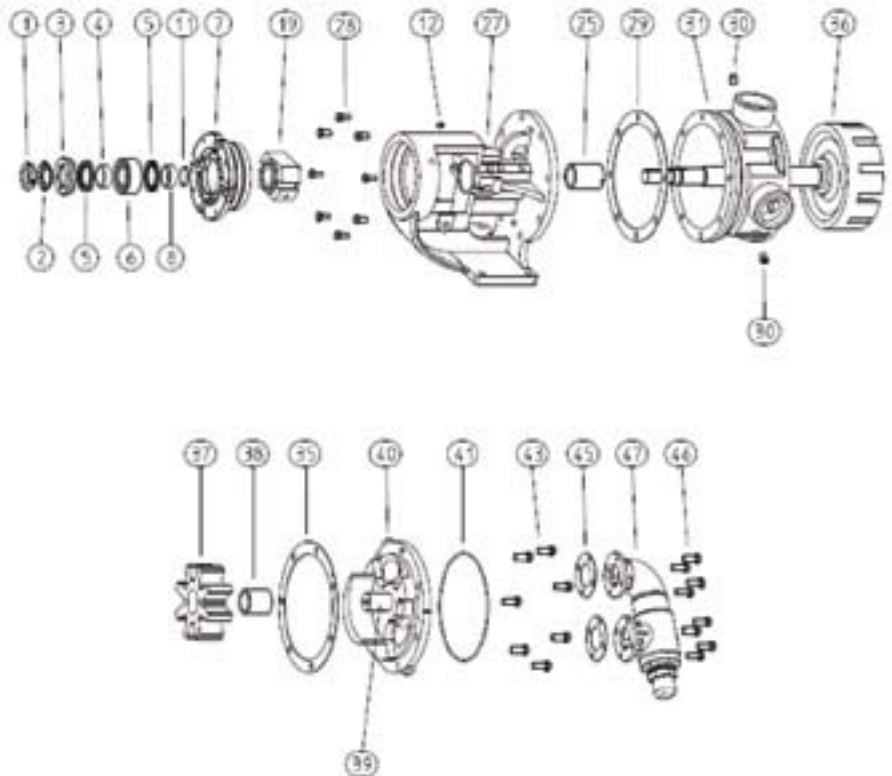
Internal relief valve standard to protect the pump.

FEATURES

1. - The stuffing box on all sizes accepts packing, component single mechanical seals, or cartridge seals without modifications.
2. - The bearing housing provides easy rotor end clearance adjustment to compensate for viscosity or wear.
3. - The one-piece Bracket minimizes deflection on shaft.
4. - Uses the Positive Displacement, Internal Gear pumping principle.
5. - Low maintenance cost.
6. - Main applications: These pumps are designed for continuous or intermittent duty for applications such as circulating, transferring, or service in general industrial, and for usage in the petroleum industry.

GENERAL EXPLODED VIEW

ITEM	DESCRIPTION
1	Locknut
2	Lockwasher
3	End Cap for Bearing Housing
4	Bearing Spacer Collar (Outer)
5	Lip Seal
6	Ball Bearing
7	Bearing Housing
8	Bearing Spacer Collar (Inner)
11	Ring Half Round
12	Grease Fitting
19	Mechanical Seal
25	Bracket Bushing
27	Bracket
28	Capscrew for Bracket
29	Bracket Gasket
30	Pipe Plug
31	Casing
35	Head Gasket
36	Rotor and Shaft
37	Idler
38	Idler Bushing
39	Idler Pin
40	Head
43	Capscrew plain or valve type Head
46	Capscrew for valve
45	Relief valve Gasket
47	Relief valve



MATERIALS OF CONSTRUCTION

G-4124 SERIES

Bracket	Casing	Head		Rotor (**)	Idler (**)	Idler Pin/Rotor Shaft
Cast Iron	Cast Iron	Cast Iron		Cast Iron	Cast Iron	Carbon Steel

Bushings	Packing	Mechanical Seal	Relief Valve
Bronze / Carbon Graphite	Teflon Graphite	Buna / Viton (optional)	Iron

(**) Depends on operating conditions material can be changed to carbon steel.

GENERAL OPERATING DATA

G-4124 SERIES

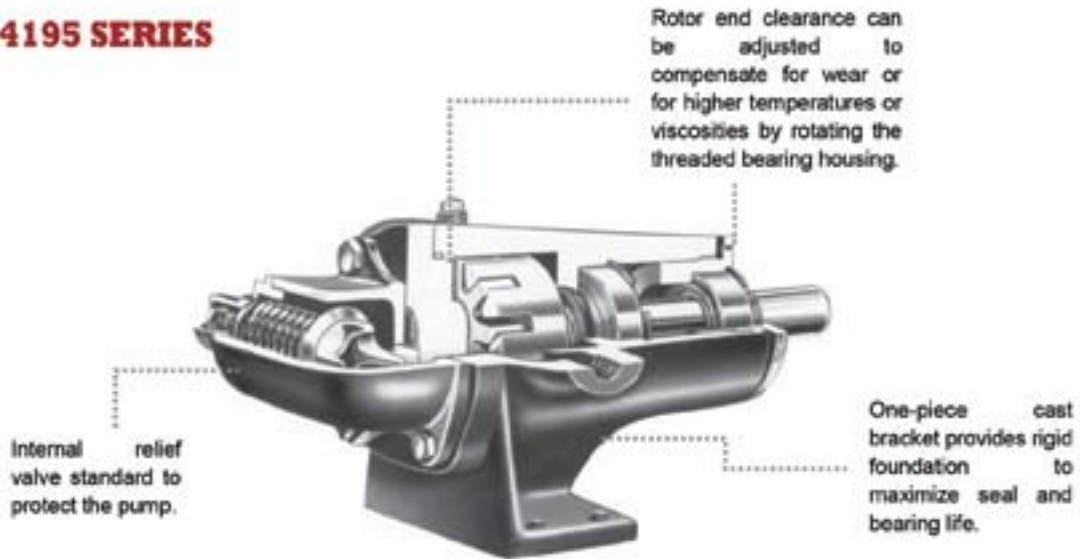
Based on 750 SSU and S.G. 1.0

	G-H	G-HL	G-AK	G-AL
Port Size (in)	1 ½	1 ½	2	2
Flow (GPM)	17	32	54	72
Discharge Pressure (PSI)	200	200	200	200
Speed (RPM)	1750	1750	1750	1750

	G-K	G-KK	G-L / G-LQ	G-LL
Port Size (in)	2	2	2	3
Flow (GPM)	79	105	146	149
Discharge Pressure (PSI)	200	200	200	200
Speed (RPM)	780	780	640	520

	G-LS	G-Q	G-QS
Port Size (in)	3	4	6
Flow (GPM)	209 / 137	300 / 200	470 / 315
Discharge Pressure (PSI)	150 / 200	150 / 200	150 / 200
Speed (RPM)	640 / 420	520 / 350	520 / 350

G-4195 SERIES

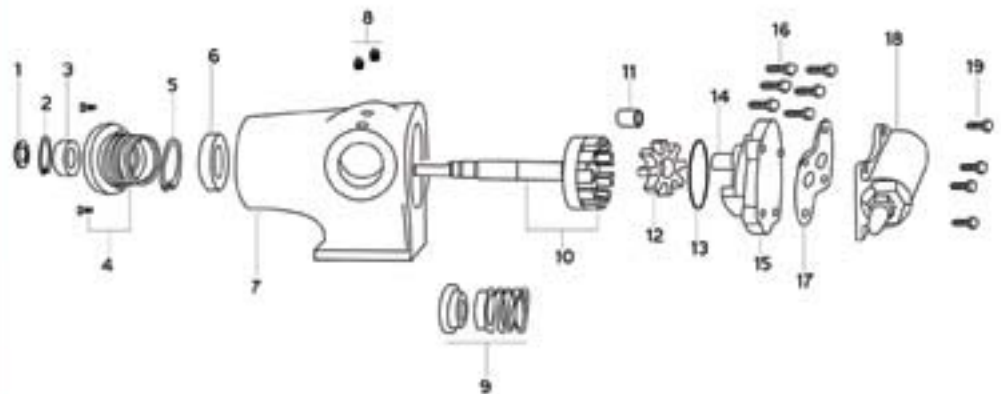


FEATURES

1. - All sizes of G-4195 pumps are furnished with a single mechanical seal.
2. - The smaller size pumps (G-GG4195, G-HL4195 and G-HJ4195) can be directly connected to either 1800 or 1200 RPM motors. The rest of the sizes can be directly connected to 1200 RPM motors (Depending on operating conditions and also 50 Hz speeds).
3. - Main applications: These pumps are built for continuous or intermittent duty for such applications as circulating, transferring, or service in general industrial, petroleum uses.

ITEM	DESCRIPTION
1	Locknut
2	Snap Ring, Outer
3	Ball Bearing, Outer
4	Bearing Housing with Setscrews
5	Snap Ring, Inner
6	Ball Bearing, Inner
7	Casing
8	Pipe Plug
9	Mechanical Seal
10	Rotor and Shaft
11	Idler Bushing
12	Idler
13	O-Ring Gasket for Head
14	Idler Pin, Plain
15	Head and plain Idler Pin
16	Capscrew for Plain head
17	Relief Valve Gasket
18	Internal Relief Valve
19	Capscrew for Valve

GENERAL EXPLODED VIEW G-4195 SERIES



Minimize downtime ...with Titan pumps!

MATERIALS OF CONSTRUCTION
G-4195 SERIES

Casing	Head	Rotor (**)	Idler (**)	Idler Pin/ Rotor Shaft	Bushings	Mechanical Seal	Relief Valve
Cast Iron	Cast Iron	Cast Iron	Cast Iron	Carbon Steel	Carbon Graphite	Buna / Viton (optional)	Iron

(**) Depends on model and/or operating conditions material can be changed to carbon steel.

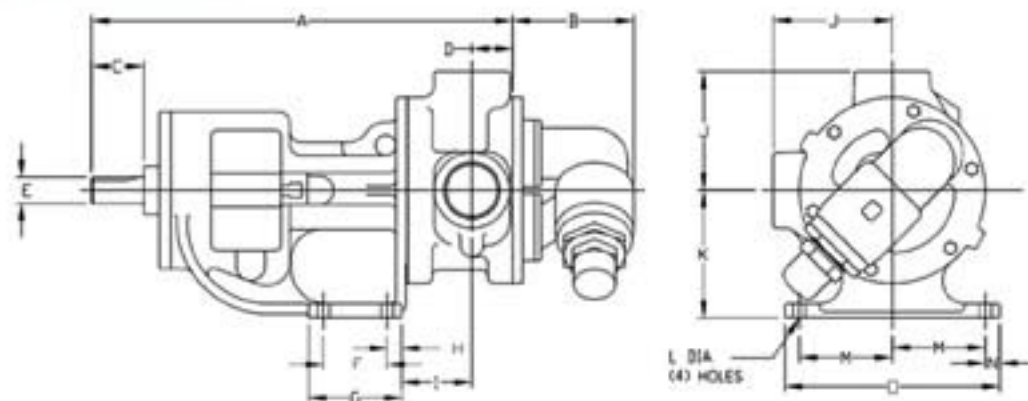
GENERAL OPERATING DATA
G-4195 SERIES

Based on 100 SSU and S.G. 1.0

	G-GG4195	G-HJ4195	G-HL4195
Port Size (in)	1	1 ½	1 ½
Flow (GPM)	10	20	30
Pressure (PSI)	100	100	100
Speed (RPM)	1800	1800	1800

	G-AS4195	G-AK4195	G-AL4195
Port Size (in)	2 ½	2 ½	3
Flow (GPM)	35	50	75
Pressure (PSI)	100	100	100
Speed (RPM)	1200	1200	1200

DIMENSIONS
G-4124 SERIES

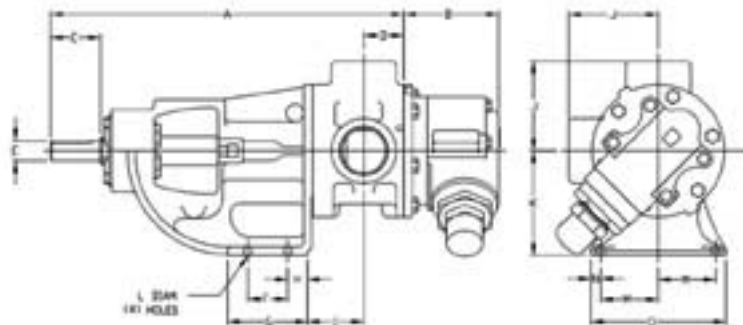


Model	A	B	C	D	E (DIA)	E (keyway)	F	G
G-H	13.25	2.85	1.62	1.19	0.75	0.19 x 0.09	2.25	3.5
G-HL	13.25	2.85	1.62	1.19	0.75	0.19 x 0.09	2.25	3.5
G-K	18.12	5.25	2.25	1.75	1.125	0.25 x 0.12	2.75	4.0
G-KK	18.12	5.25	2.25	1.75	1.125	0.25 x 0.12	2.75	4.0
G-L	19.62	5.43	2.25	1.75	1.125	0.25 x 0.12	4.0	5.38

Dimensions in inches

Model	H	I	J	K	L	M	N	O
G-H	0.62	3.38	3.0	3.5	0.47	2.75	0.62	6.75
GHL	0.62	3.38	3.0	3.5	0.47	2.75	0.62	6.75
G-K	0.62	3.0	5.12	5.5	0.53	4.0	0.62	9.25
G-KK	0.62	3.0	5.12	5.5	0.53	4.0	0.62	9.25
G-L	0.62	3.38	6.5	7.0	0.53	4.38	0.62	10.0

Dimensions in inches



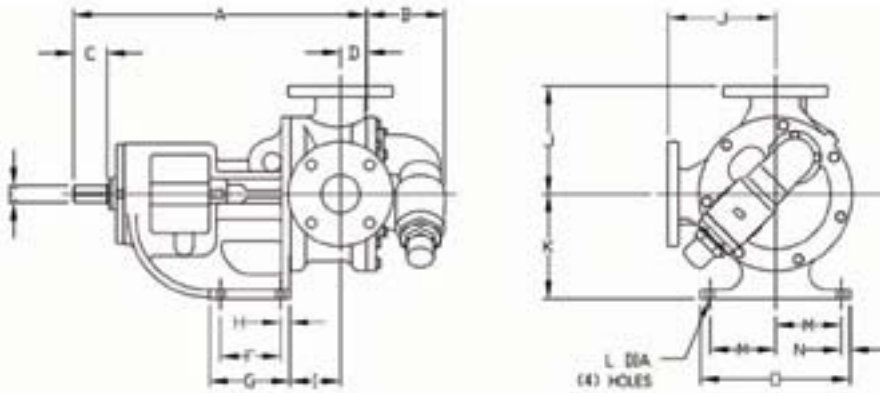
Model	A	B	C	D	E (DIA)	E (keyway)	F	G
G-AK	17.68	4.8	2.5	2.0	1.0	0.25 x 0.12	2.0	4.0
G-AL	17.68	4.8	2.5	2.0	1.0	0.25 x 0.12	2.0	4.0

Dimensions in inches

Model	H	I	J	K	L	M	N	O
G-AK	1.0	2.81	4.5	5.25	0.41	2.88	0.5	6.75
G-AL	1.0	2.81	4.5	5.25	0.41	2.88	0.5	6.75

Dimensions in inches

Quality, Availability...and Performance!



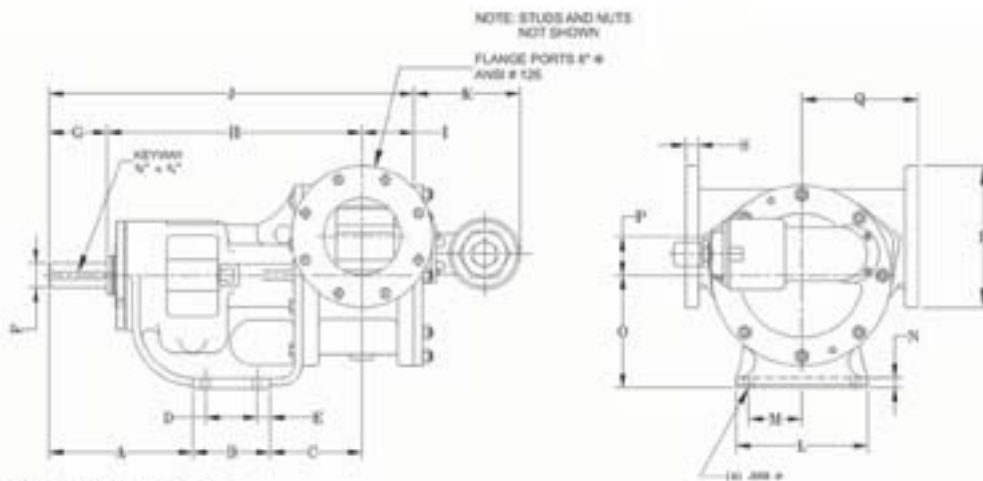
Model	A	B	C	D	E (DIA)	E (keyway)	F	G
G-LQ	19.62	5.43	2.25	1.75	1.125	0.25 x 0.12	4.0	5.38
G-LL	20.12	5.43	2.25	2.25	1.125	0.25 x 0.12	4.0	5.38
G-LS	21.69	5.43	3.5	2.44	1.44	0.38 x 0.19	4.0	5.38

G-Q	26.75	8.25	4.5	3.0	1.94	0.50 x 0.25	4.0	6.0
-----	-------	------	-----	-----	------	-------------	-----	-----

Dimensions in inches

Model	H	I	J	K	L	M	N	O
G-LQ	0.62	3.38	7.19	7.0	0.53	4.38	0.62	10.0
G-LL	0.62	3.38	7.19	7.0	0.53	4.38	0.62	10.0
G-LS	0.62	4.75	7.19	7.0	0.53	4.38	0.62	10.0
G-Q	1.0	6.62	8.25	8.75	0.69	4.12	0.75	10.0

Dimensions in inches



EI-QS Dimensions

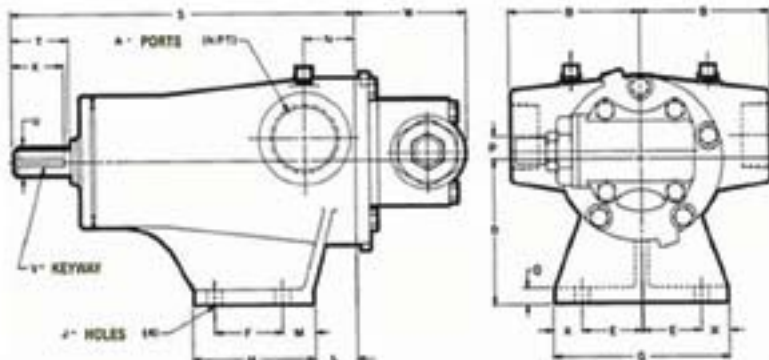
Model	A	B	C	D	E	F	G	H	I	J
G-QS	11.13	6.00	7.12	4.00	1.00	1.93	4.50	19.75	4.00	28.25

Dimensions in inches

Model	K	L	M	N	O	P	Q	R	S
G-QS	8.25	10.00	4.12	0.80	8.75	3.00	9.00	11.00	1.0

Dimensions in inches

G-4195 SERIES

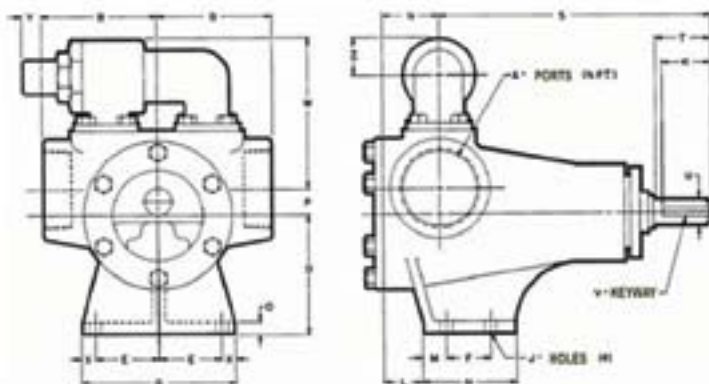


Model	A	B	D	E	F	G	H	J	K	L
G-GG4195	1	2.75	2.75	1.62	1.31	4.0	2.44	0.34	0.94	0.03
G-HJ4195	1 ½	3.75	4.12	1.75	2.0	5.0	3.5	0.41	1.5	1.25
G-HL4195	1 ½	3.75	4.12	1.75	2.0	5.0	3.5	0.41	1.5	1.25

Dimensions in inches

Model	M	N	O	P	S	T	U	V	W	X
G-GG4195	0.66	1.21	0.31	0.62	7.31	1.12	0.5	FLAT	2.66	0.38
G-HJ4195	0.88	1.5	0.44	0.62	10.0	1.62	0.75	0.19 x 0.09	3.28	0.75
G-HL4195	0.88	1.5	0.44	0.62	10.0	1.62	0.75	0.19 x 0.09	3.28	0.75

Dimensions in inches



Model	A	B	D	E	F	G	H	J	K	L	M
G-AS4195	2 ½	5.0	5.25	2.88	2.0	6.75	4.0	0.41	2.25	1.25	1.0
G-AK4195	2 ½	5.0	5.25	2.88	2.0	6.75	4.0	0.41	2.25	1.25	1.0
G-AL4195	3	5.0	5.25	2.88	2.0	6.75	4.0	0.41	2.25	1.75	1.0

Dimensions in inches

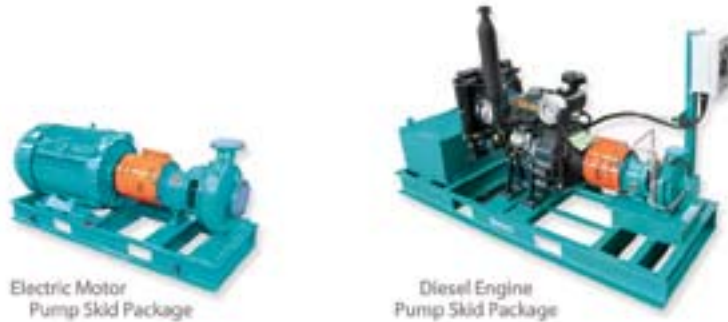
Model	N	O	P	S	T	U	V	W	X	Y	Z
G-AS4195	2.0	0.44	1.12	12.12	2.5	1.0	0.25 x 0.12	7.0	0.5	1.0	1.72
G-AK4195	2.0	0.44	1.12	12.12	2.5	1.0	0.25 x 0.12	7.0	0.5	1.0	1.72
G-AL4195	2.5	0.44	1.12	12.12	2.5	1.0	0.25 x 0.12	7.0	0.5	1.0	1.72

Dimensions in inches

Titan Manufacturing, Inc. and Titan BOP Rubber Products are sister companies operating out of Houston, Texas. Titan Manufacturing, Inc., known as Titan Pumps, specializes in a variety of Pumps:



Titan fabrication division can construct custom skid packages to your requirement.



Titan BOP Rubber Products, Inc. is a supplier of quality aftermarket Elastomers. The product range covers: Shear packers, VBR packers, Ram packers, Top seals, Ram block assembly, Ram blocks, Oil saver rubbers, Stripper rubbers, Flat and Split dual pipe wipers, Low profile pipe wipers, Packing elements, Seal kits, Pulsation dampener bladders, Pulsation dampener repair kits, Ram shaft assemblies, Door seals, Shear packers, Test cups, Test cup assemblies, Ram shafts, Hinge brackets, Retracting screws and other Blowout Preventer replacement parts for the oilfield industry.



The Titans are already known for high quality products manufactured and sold industry wide. The companies adhere to a strict quality control process conforming to ISO 9001:2008 standards.

Titan Manufacturing and **Titan BOP Rubber** draws it strength from its team of qualified, professional and technically competent business leaders, who have worked with large corporations (Fortune 500 companies) and bring the best management, product and technology practices to the business.

Titans have skilled application specialists, product and engineering support personal, and qualified technical sales team who can provide you with an appropriate and cost effective solution for your business requirement.

... enhance productivity with Titan engineering!

In Stock!
.... Give us a Call!



Disclaimer: Goulds®, Durco®, Wilden®, Gorman Rupp®, and Viking® are registered trademarks, Titan Manufacturing, Inc. is not affiliated with these companies.